

# Proximity Sensors Inductive Rectangular, Nickel-plated Brass Housing Types IC, ID, Cable and Plug

CARLO GAVAZZI



IC 08



ID 25

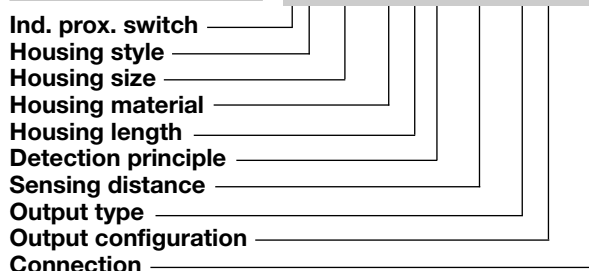
- Nickel-plated brass housings
- Sensing distance: 1.5 or 5 mm
- For flush mounting
- Output: IC 08: Transistor, NPN/PNP, normally open  
ID 25: Transistor, NPN/PNP, normally open or change over
- Power supply: 10 to 30 VDC
- Protection: Short-circuit
- 2 m PVC cable or M8 plug (IC 08)

## Product Description

Inductive proximity sensor in squared nickel-plated brass housing. This series is suitable for the control of axial and rotational movements.

Output configured as PNP or NPN, normally open (IC and ID types), change over (ID types). Connection with 2 m PVC cable (IC and ID types or M8 plug (IC types).

## Ordering Key **IC 08 ANC 15 NO M5-K**



## Type Selection

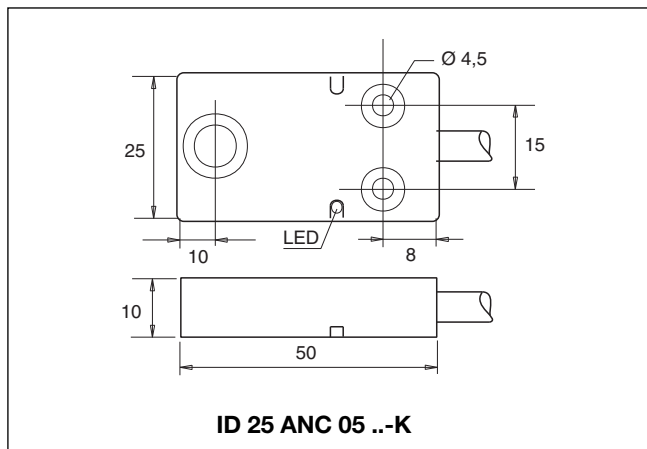
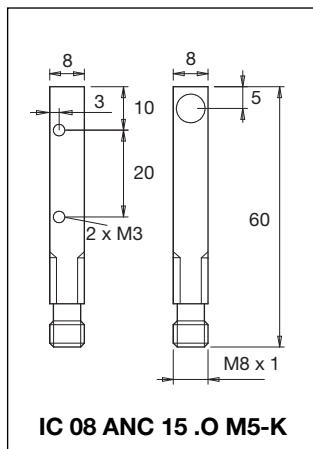
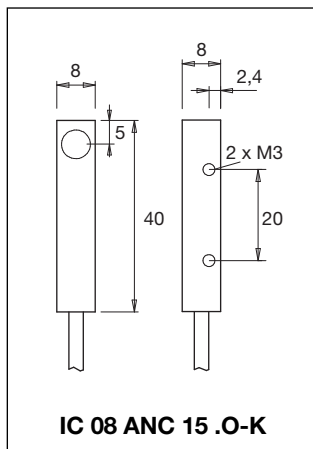
Rated op. dist. (S <sub>n</sub> )	Con- nec- tion	Dimen- sions [mm]	Ordering no. Transistor, NPN Normally open	Ordering no. Transistor, NPN Change over	Ordering no. Transistor, PNP Normally open	Ordering no. Transistor, PNP Change over
1.5 mm	Cable	8 x 8 x 40	<b>IC 08 ANC 15 NO-K</b>		<b>IC 08 ANC 15 PO-K</b>	
1.5 mm	Plug	8 x 8 x 60	<b>IC 08 ANC 15 NO M5-K</b>		<b>IC 08 ANC 15 PO M5-K</b>	
5 mm	Cable	25x10 x 50	<b>ID 25 ANC 05 NO-K</b>	<b>ID 25 ANC 05 NA-K</b>	<b>ID 25 ANC 05 PO-K</b>	<b>ID 25 ANC 05 PA-K</b>

All types for flush mounting in metal

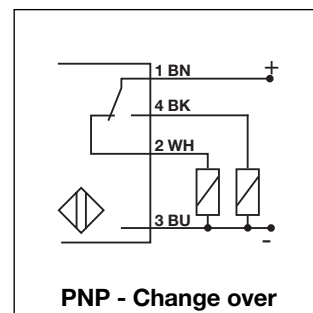
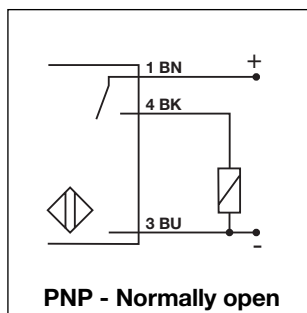
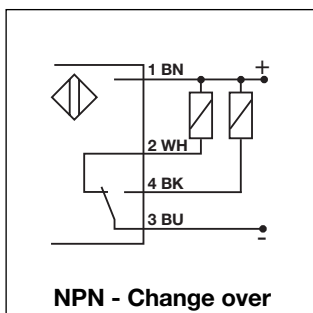
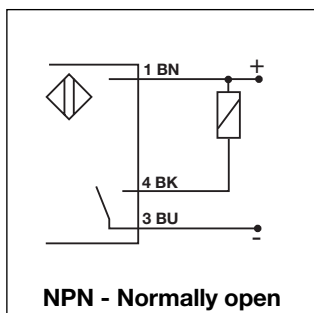
## Specifications

<b>Rated operational volt. (U<sub>B</sub>)</b>	10 to 30 VDC (ripple included)	<b>Sensing distance</b>	IC08 ID25	1.5 mm 5 mm
<b>Ripple</b>	≤ 10%	<b>Effective operating dist. (S<sub>r</sub>)</b>		0.9 x S <sub>n</sub> ≤ S <sub>r</sub> ≤ 1.1 x S <sub>n</sub>
<b>Rated operational current (I<sub>e</sub>)</b> Continuous	≤ 200 mA @ 25°C	<b>Usable operating dist. (S<sub>u</sub>)</b>		0.85 x S <sub>r</sub> ≤ S <sub>u</sub> ≤ 1.15 x S <sub>r</sub>
<b>No-load supply current (I<sub>o</sub>)</b> IC08 ... .. O-K IC08 ... .. OM5-K ID 25	≤ 10 mA (ON) ≤ 9 mA (ON) ≤ 10 mA (ON)	<b>Ambient temperature</b> Operating Storage		-25° to +70°C (-13° to +158°F) -30° to +75°C (-22° to +167°F)
<b>Voltage drop (U<sub>d</sub>)</b> IC08 ... .. O-K IC08 ... .. OM5-K ID 25	< 1.7 V (@ I <sub>max</sub> ) < 1.0 V (@ I <sub>max</sub> ) < 1.0 V (@ I <sub>max</sub> )	<b>Degree of protection</b> IC08 ... .. O-K IC08 ... .. OM5-K ID25		IP 65 IP 67 (Nema 1, 3, 4, 6, 13) IP 67 (Nema 1, 3, 4, 6, 13)
<b>Protection</b>	Short circuit	<b>Housing material</b>		Nickel-plated brass
<b>Frequency of op. cycles (f)</b> IC08 ... .. O-K IC08 ... .. OM5-K ID 25	1 kHz 2 kHz 1 kHz	<b>CE-marking</b>		Yes
<b>Indication for output ON</b>	LED, yellow (ID25 only)	<b>Connection</b>		Cable, 2 m, PVC, AWG 26 or Plug M8, CONH5A-xxx serie (plug versions only IC 08)

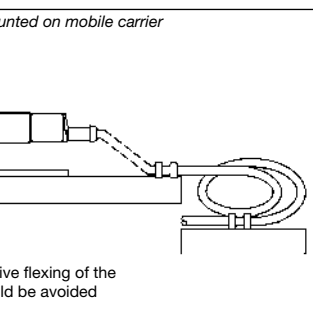
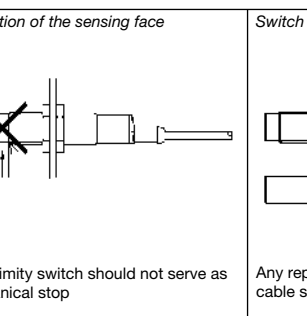
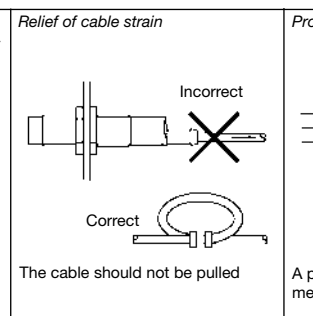
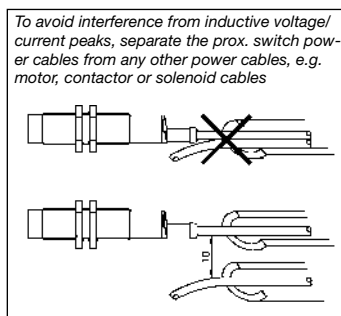
## Dimensions



## Wiring Diagrams



## Installation Hints



# Mouser Electronics

Authorized Distributor

Click to View Pricing, Inventory, Delivery & Lifecycle Information:

[Carlo Gavazzi:](#)

[ID25ANC05NA-K](#) [ID25ANC05PA-K](#) [IC08ANC15PO-K](#) [ID25ANC05NO-K](#) [ID25ANC05PO-K](#) [IC08ANC15NOM5-K](#)  
[IC08ANC15POM5-K](#)